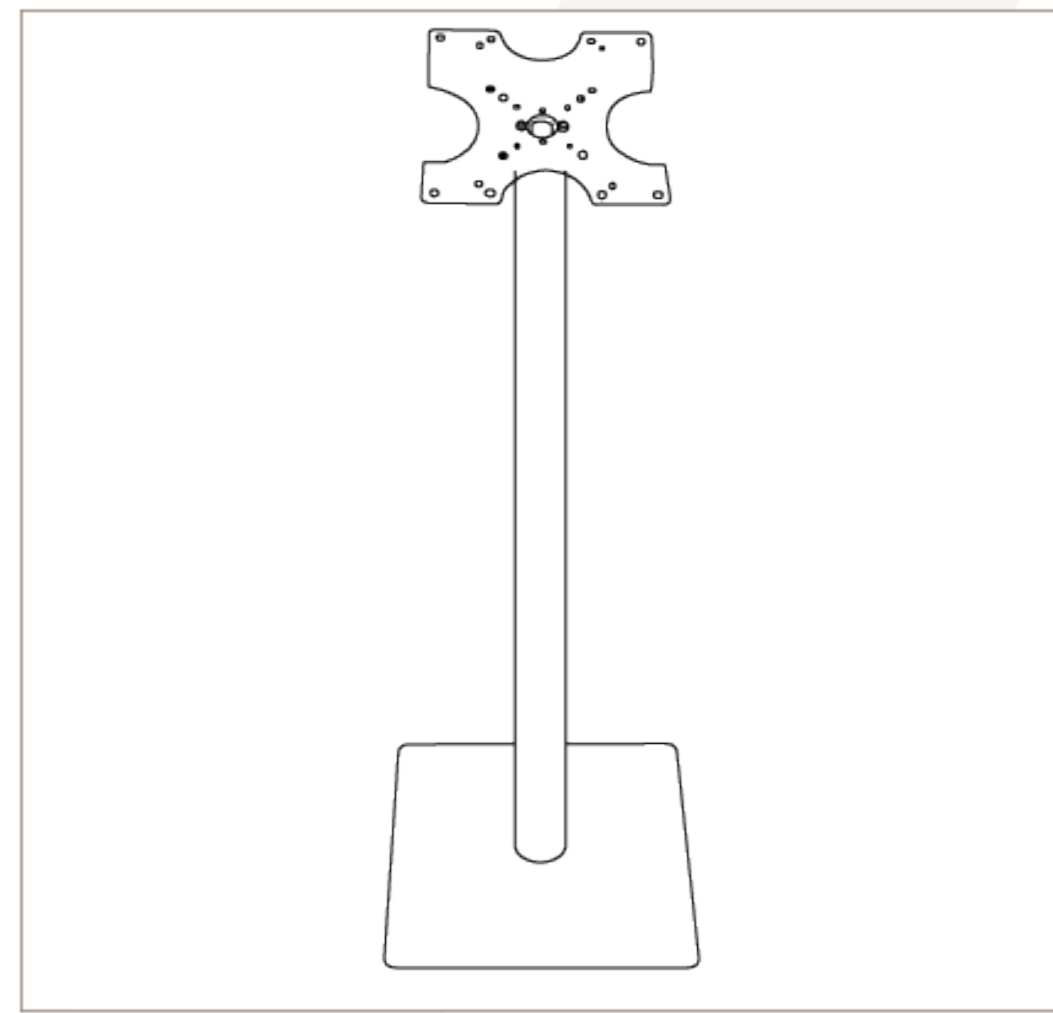


Floor stand

Modulare



1

Place floor bumpers underneath the foot plate

2

Fit plate on flat side tube. Use 2x M6 x 16

3

Fit the modular on the diagonal side tube; Use 2x M6 x 16

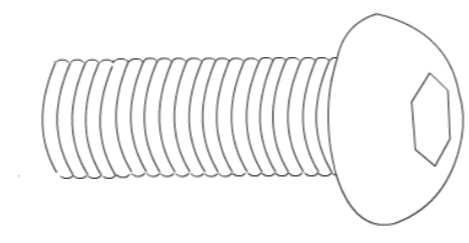
4

Optional: Guide power cable through hole in casing and tube to bottom.

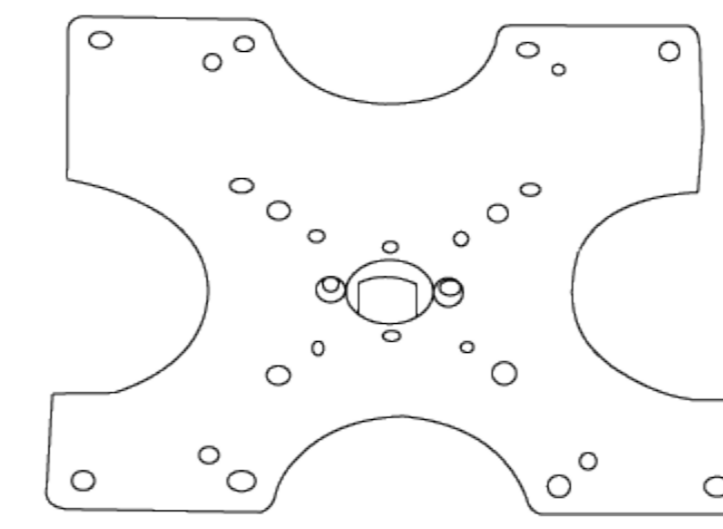
5

Refer to the display's manual to mount your display to the modulare.

Content



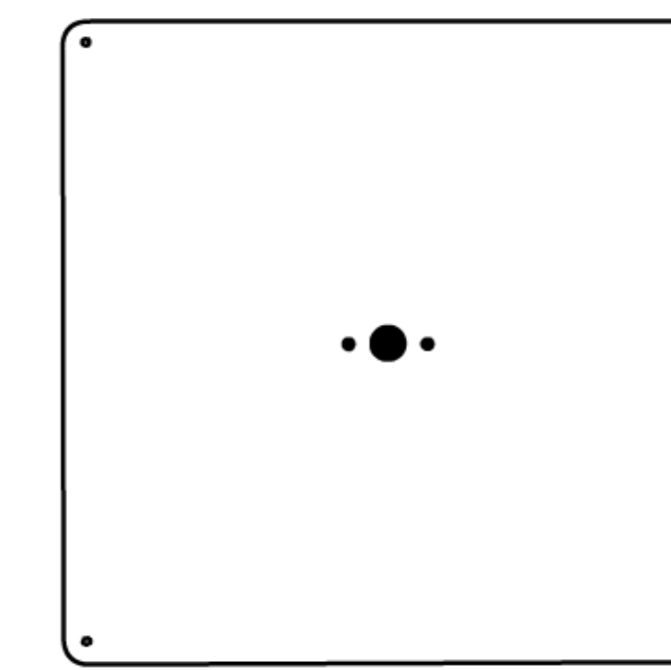
4x M6x16



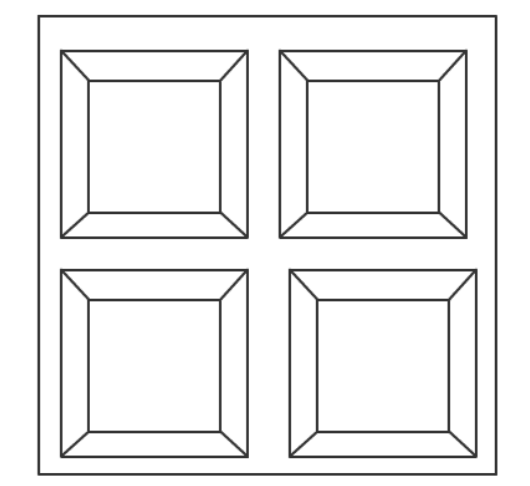
1 Modulare



1 Tube

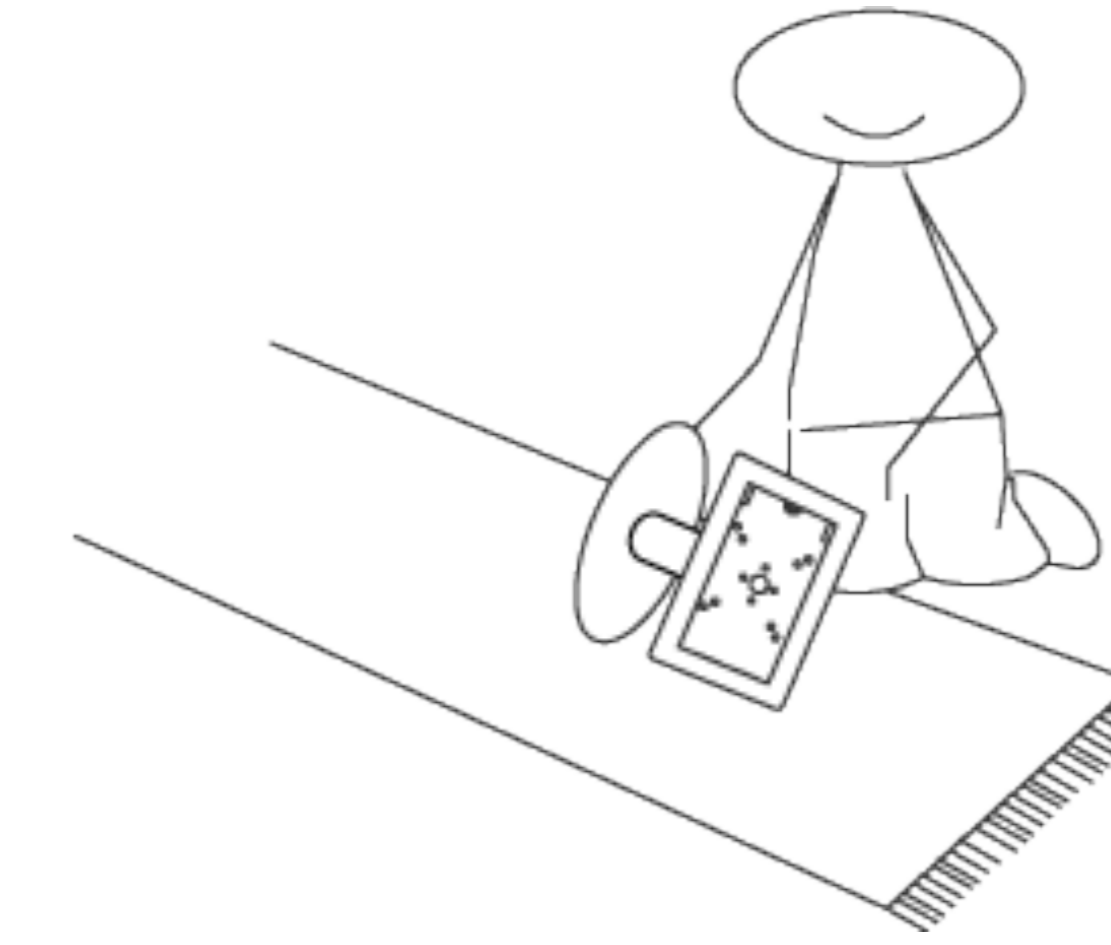
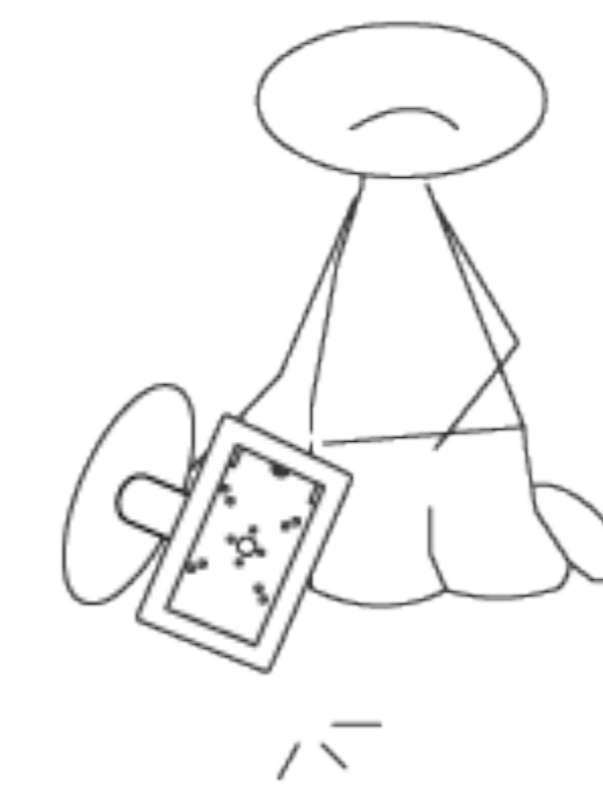
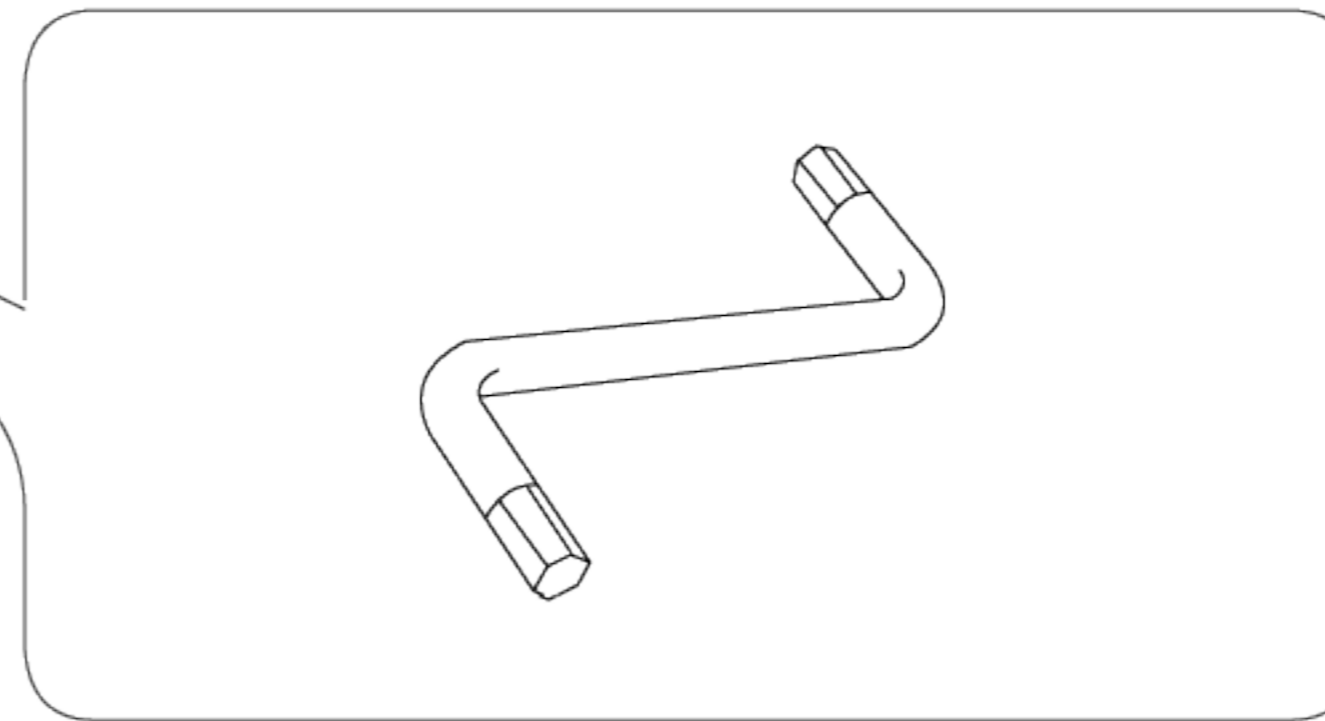


1 Foot plate



4 Bumpers

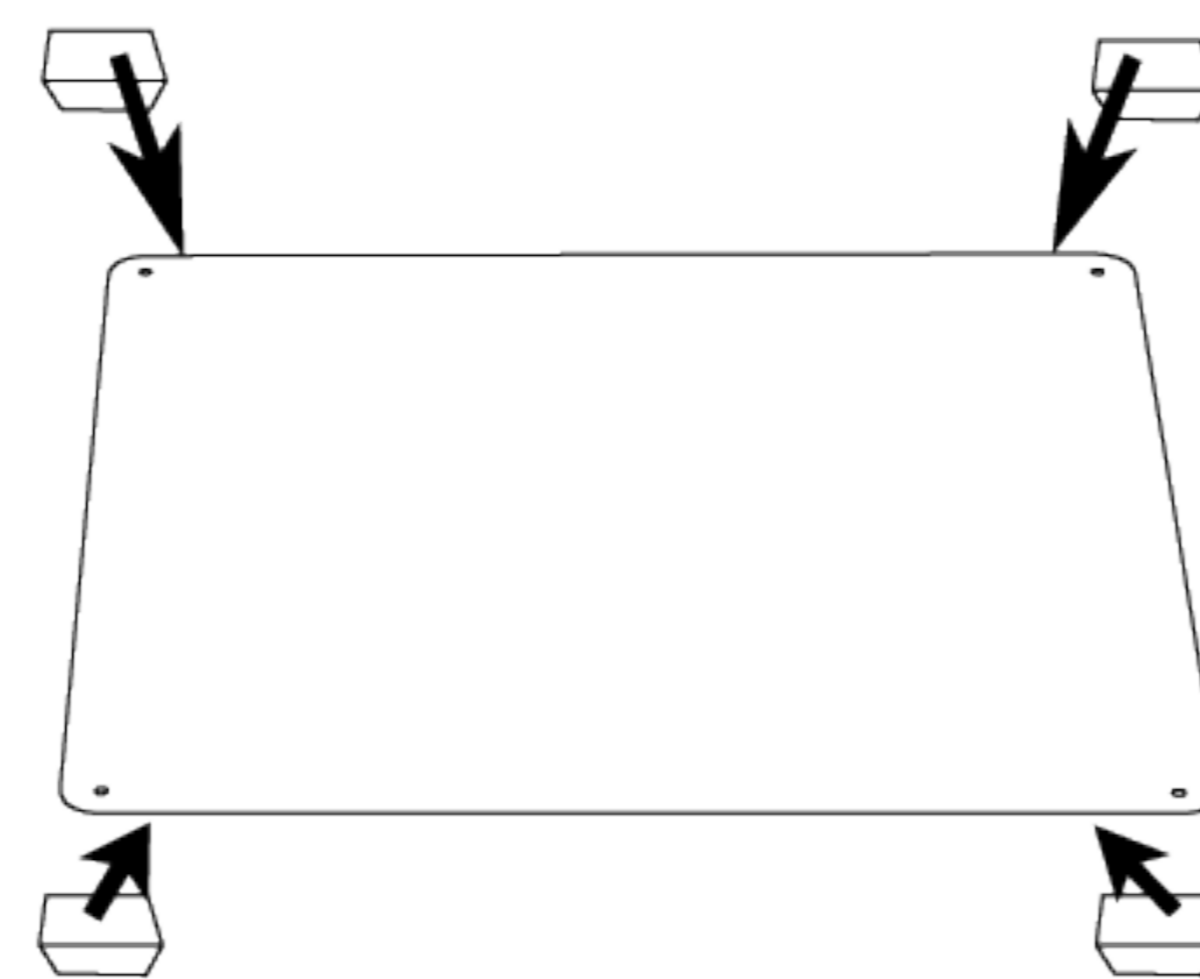
Necessities



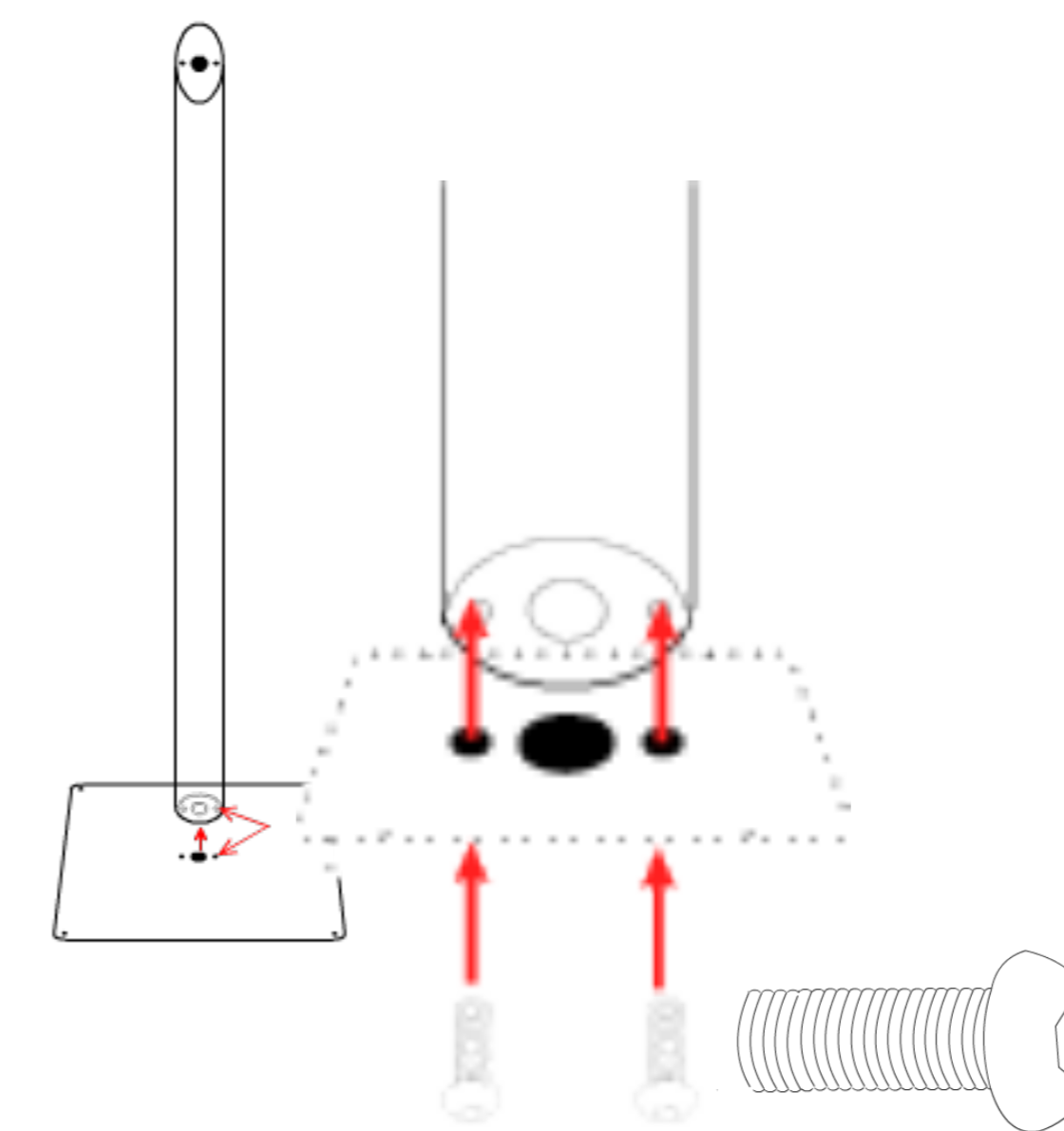
NOTE: Use a soft underlayment during assembly to avoid damage

Explanation

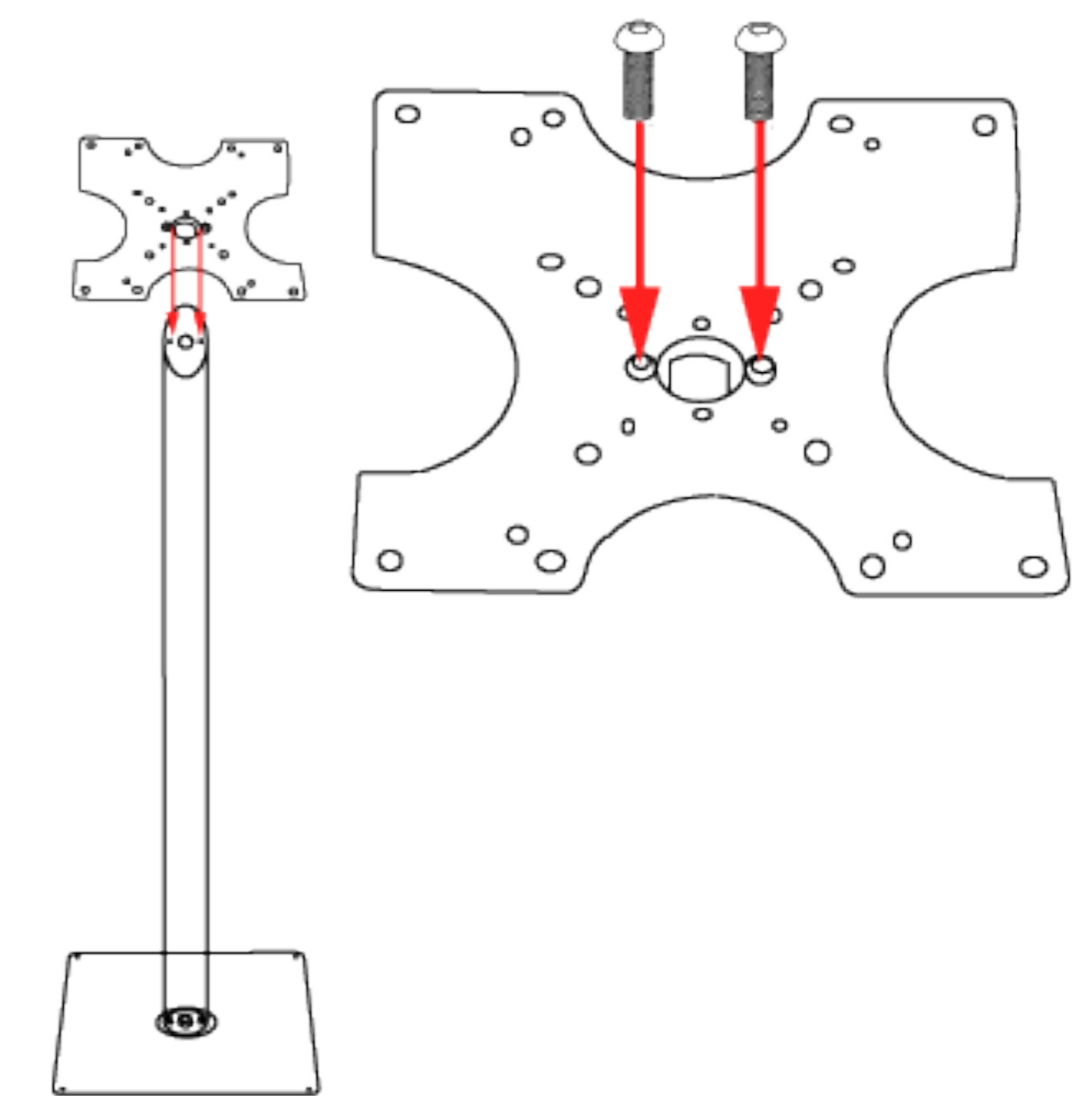
1



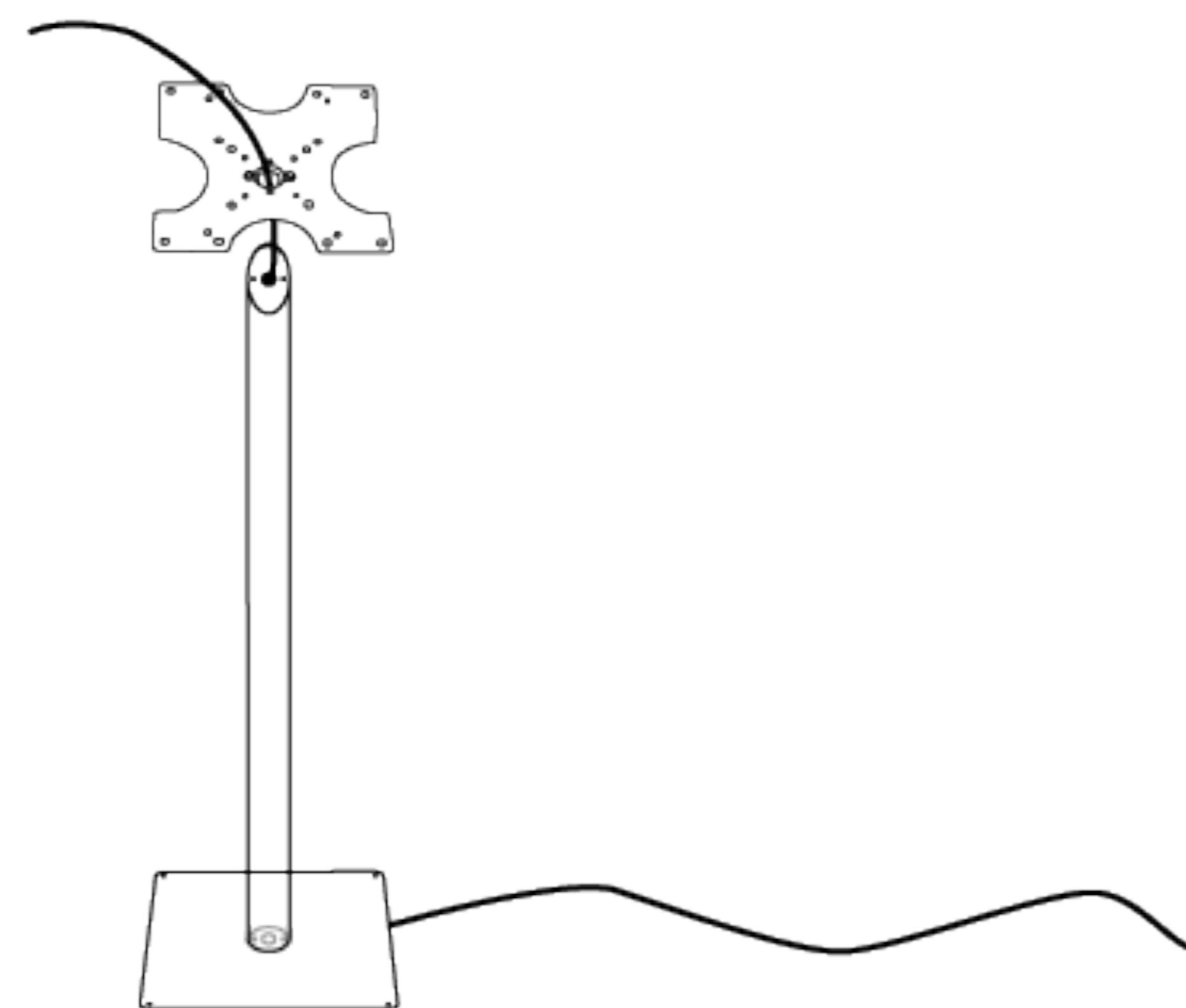
2



3



4



5

