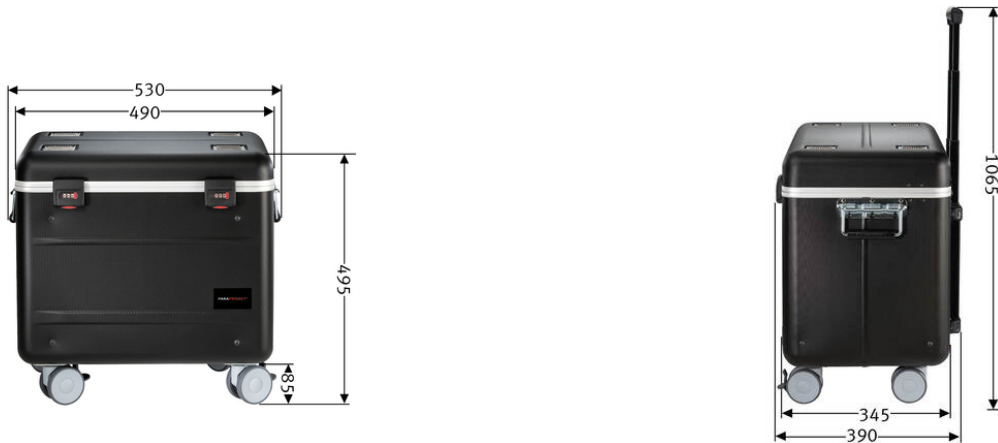


# PARAPROJECT®

## Case i10 Typ-C

Charge , Synchronize , Transport , Store , Flex2Connect



Part denomination	PARAPROJECT Case i10 Typ-C Charge&Sync, inkl. USB-C®-Kabel, black
Part number	208661151
GTIN /EAN	4006793004795
Certificates	CE / REACH / RoHS
Applicable standards	DIN EN 60950-1 DIN EN 55022 DIN EN 55035
Scope of delivery	- PARAPROJECT® Case i10 EDUCOVER®+/KidsCover - Device connection cable, EU, length: 5 m - USB connection cable, length: 3 m - 10 USB data and charging cables with USB-C® connector - Y-adapter cable, C14 plug to 1 IBM socket (C5, 3-pin) and 1 Euro 8 socket (C7, 2-pin, AUX 1) - user manual
Materials	- X-ABS plastic
Transport	Telescopic slide, 4-fold / 2 side carrying handles / combination lock / 4 smooth-running wheels, diameter 75 mm (2 of which have wheel locks)
External dimensions (WxDxH)	530 mm x 390 mm x 495 mm
Weight	9600 g
Transport dimensions	580 mm x 420 mm x 570 mm
Dimensions of euro-palettts	1200 mm x 800 mm x 1880 mm
Number of euro-pallet	12
customs tariff number	85044083
Country of origin	RO

# PARAPROJECT®

## Case i10 Typ-C

Charge , Synchronize , Transport , Store , Flex2Connect

Fittings	<ul style="list-style-type: none"> <li>- Technical equipment inside:</li> <li>- Storage compartment (W x D x H: 310 x 210 x 360 mm) for up to 8 iPads with KidsCover /EDUCOVER®</li> <li>- Storage compartment (W x D x H: 130 x 240 x 320 mm) for up to 2 iPads with KidsCover /EDUCOVER®</li> <li>- Sync and charging unit</li> <li>- 10 USB-A data and charging cables with USB-C connectors</li> <li>- Programmable internal charging timer</li> <li>- Temperature sensor (overheating protection)</li> <li>- Suitcase lid:</li> <li>- Bag with zipper and pocket with elastic loop</li> <li>- Ventilation openings in the lid and base area</li> <li>- Technical equipment, exterior:</li> <li>- central power supply with protective cap</li> <li>- USB-B port for the sync function</li> <li>- RJ 45 network connection for e.g. access point</li> <li>- 4-stage telescopic extension</li> <li>- 2 side carrying handles</li> <li>- combination locks</li> <li>- 4 smooth-running wheels, diameter 75 mm (2 of which have wheel locks)</li> </ul>
Compatible devices	All devices that can be charged with USB-C®
Max. number of devices	10
Operating system	iOS / Android / Windows
Cable types for equipment	USB-A data and charging cable to USB-C® connector ; Y-adapter cable, C14 plug to 1 IBM socket (C5, 3-pin) and 1 Euro 8 socket (C7, 2-pin, AUX 1) ; Y-adapter cable, C14 plug to 1 Euro flat socket (2-pin) and 1 Euro 8 socket (C7, 2-pin, AUX 2)
Power supply	Central power supply unit for the entire power supply of the devices
Output power per port	max. 2.4 A
Optional accessories	<ul style="list-style-type: none"> <li>- USB-A data and charging cable to Lightning® connector with LED indicator</li> <li>- USB-A data and charging cable to USB-C® connector</li> <li>- KidsCover</li> <li>- EDUCOVER®</li> </ul>
Lock types	combination lock
Connections	<ul style="list-style-type: none"> <li>- Outside:</li> <li>- central power supply with protective cap</li> <li>- USB-B port for the sync function</li> <li>- RJ 45 network connection for e.g. access point</li> <li>- Optional: HDMI port</li> <li>- Inside:</li> <li>- main switch</li> <li>- 10 USB-A port for Flex2Connect</li> <li>- Y-adapter cable, C14 plug to 1 IBM socket (C5, 3-pin) and 1 Euro 8 socket (C7, 2-pin, AUX 1)</li> <li>- Y-adapter cable, C14 plug to 1 Euro flat socket (2-pin) and 1 Euro 8 socket (C7, 2-pin, AUX 2)</li> </ul>
Data of currents	- 100 - 240 V max. 3,6 A 50 / 60 Hz
Dimension of pockets	linkes Fach (BxTxH): 310 x 210 x 320 mm; rechtes Fach (BxTxH): 130 x 240 x 320 mm (+ jeweils 50 mm zusätzliche Höhe dank Kofferdeckel)
Dimensions of other pockets	28 x 235 x 320 mm (+ 50 mm zusätzliche Höhe dank Kofferdeckel)
Color	black

product image similar / information without content / subject to errors and changes / all dimensions in mm

# PARAPROJECT®

## Case i10 Typ-C

Charge , Synchronize , Transport , Store , Flex2Connect

